


## Product information 0906 UTP 301

Industrial Connecting Solutions:Cables and Adapters:T-connectors / adaptors:7/8", M23, RJ45/M12, D-Sub/M12 - T-connectors/adaptors:7/8":T-connectors, 7/8"-female on 7/8"-male and 7/8"-female

connector:0906 UTP 301

<https://www.e-catalog.beldensolutions.com:443/link/57078-24228-256254-57229-218891-218893-218896-219238/en/conf/ui/state>

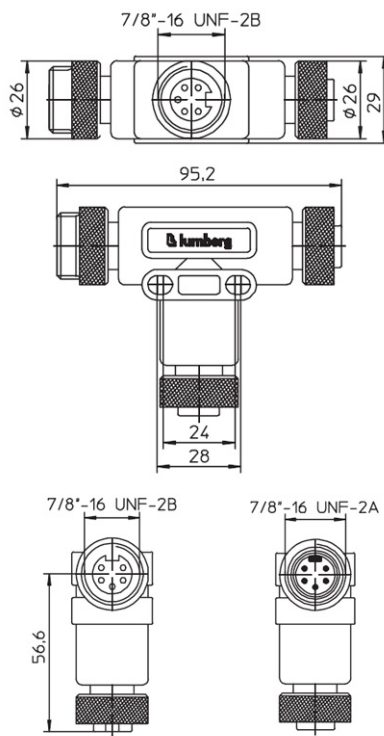
<b>Name</b>	0906 UTP 301
	
	T-connector with 7/8" male/female connector, 5 poles (especially suitable for DeviceNet modules with 7/8" bus connection)
<b>Delivery informations</b>	
<b>Availability</b>	available
<b>Product description</b>	
<b>Type</b>	0906 UTP 301
<b>Order No.</b>	2236
<b>Description</b>	T-connector with 7/8" male/female connector, 5 poles (especially suitable for DeviceNet modules with 7/8" bus connection)
<b>Number of contacts</b>	5
<b>Color of housing</b>	yellow
<b>Product characteristics</b>	Vibration resistance, Oil resistance
<b>Classification</b>	
<b>Belden brand</b>	Lumberg-Automation
<b>Environmental conditions</b>	
<b>Environmental temperature</b>	-25 °C ... 90 °C
<b>Degree of protection (IP), mounted</b>	IP67
<b>Pollution degree</b>	3
<b>Materials</b>	
<b>Housing material / Molded body</b>	TPU
<b>Contact material</b>	CuZn
<b>Contact material - Surface refinement</b>	pre-nickeled and 0.8 microns gold-plated
<b>Knurled screw / nut material</b>	Al black anodized
<b>Electrical data</b>	
<b>Contact resistance</b>	≤ 5 mΩ
<b>Rated current In</b>	9 A at 40 °C
<b>Nominal voltage</b>	300 V
<b>Insulation resistance</b>	> 1 GΩ

Industrial Connecting Solutions:Cables and Adapters:T-connectors / adaptors:7/8", M23, RJ45/M12, D-Sub/M12 - T-connectors/adaptors:7/8":T-connectors, 7/8"-female on 7/8"-male and 7/8"-female connector:0906 UTP 301

<https://www.e-catalog.beldensolutions.com:443/link/57078-24228-256254-57229-218891-218893-218896-219238/en/conf/ulistate>

Picture

Drawing



**Belden Deutschland GmbH**

Im Gewerbepark 2  
 58579 Schalksmühle  
 Germany  
 Phone: +49 7127/14-1806  
 E-Mail: [icos-sales@belden.com](mailto:icos-sales@belden.com)

The information published in the websites has been compiled as carefully as possible. It is subject to alteration without notice in technical as well as in price-related/commercial respect. The complete information and data were available on user documentation. Mandatory information can only be obtained by a concrete query.