


## Product information

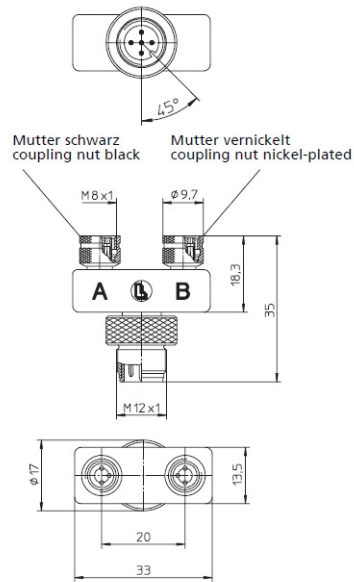
### ASBS 2 M8

Industrial Connecting Solutions:Cables and Adapters:T-connectors / adaptors:M8, M12, valve plug - T-connectors/adaptors:M12-M8:T-connector, M12 male with two M8 female connectors:ASBS 2 M8  
<https://e-catalog.beldensolutions.com:443/link/57078-24228-256254-57229-218892-219411-219414-219415/en/conf/uistate>

Name	ASBS 2 M8
	
	T-connector, M12 male connector with two M8 female connectors, 3 poles, with self locking threaded
<b>Delivery informations</b>	
Availability	available
<b>Product description</b>	
Type	ASBS 2 M8
Order No.	11124
Description	T-connector, M12 male connector with two M8 female connectors, 3 poles, with self locking threaded
Number of contacts	3
Color of housing	orange
Product characteristics	Vibration resistance, Oil resistance
<b>Classification</b>	
Belden brand	Lumberg-Automation
<b>Environmental conditions</b>	
Environmental temperature	-25 °C ... 90 °C
Degree of protection (IP), mounted	IP67
Pollution degree	3
<b>Materials</b>	
Housing material / Molded body	TPU, self-extinguishing
Contact bearer material	TPU, self-extinguishing
Contact bearer material, side 2	TPU, self-extinguishing
Contact material	CuZn
Contact material - Surface refinement	pre-nickeled and 0.8 microns gold-plated
Knurled screw / nut material	CuZn, nickel-plated
Sealing material	FKM
<b>Electrical data</b>	
Contact resistance	≤ 5 mΩ
Rated current In	4 A per outlet / 4 A max. at 40 °C
Nominal voltage	60 V
Rated voltage	63 V
Test voltage	0.8 kV eff./60 s
Insulation resistance	> 1 GΩ

Industrial Connecting Solutions:Cables and Adapters:T-connectors / adaptors:M8, M12, valve plug - T-connectors/adaptors:M12-M8:T-connector, M12 male with two M8 female connectors:ASBS 2 M8  
<https://e-catalog.beldensolutions.com:443/link/57078-24228-256254-57229-218892-219411-219414-219415/en/conf/uistate>

Picture  
 Drawing



**Belden Deutschland GmbH**  
 Im Gewerbepark 2  
 58579 Schalksmühle  
 Germany  
 Phone: +49 7127/14-1806  
 E-Mail: [icos-sales@belden.com](mailto:icos-sales@belden.com)

The information published in the websites has been compiled as carefully as possible. It is subject to alteration without notice in technical as well as in price-related/commercial respect. The complete information and data were available on user documentation. Mandatory information can only be obtained by a concrete query.