

Product information

WRKMWV - WRKMWV 4-521/5 M

Industrial Connecting Solutions: Circular Connectors: M8 - M12 Connectors: M8 Connectors: Overmolded single ended M8 cord sets: female connector: Wash-down Series: WRKMWV

https://catalog.beldensolutions.com:443/link/57078-24228-256281-256292-256303-250524-250526-377656-377658/en/WRKMWV_04-521-05/ui/state

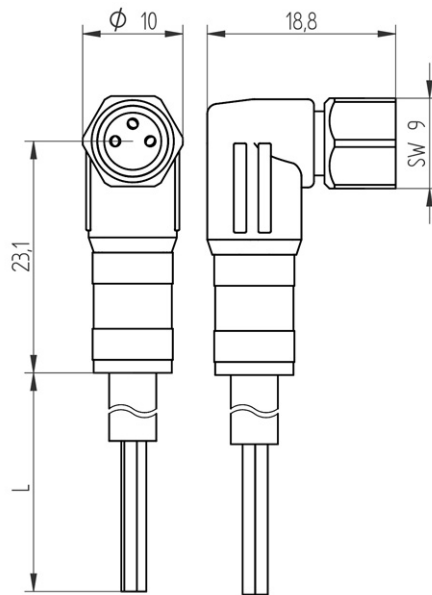
Name	WRKMWV
	Actuator/sensor cordset, M8 female connector, right angled version, with self-locking threaded joint and molded cable, hexagon screw in stainless steel, especially designed for use in wash down applications, 4 poles, TPE-V jacket, flame-retardant, orange, 5 meters.
Delivery informations	
Availability	available
Product description	
Type	WRKMWV 4-521/5 M
Order No.	934 730-008
Description	Actuator/sensor cordset, M8 female connector, right angled version, with self-locking threaded joint and molded cable, hexagon screw in stainless steel, especially designed for use in wash down applications, 4 poles, TPE-V jacket, flame-retardant, orange, 5 meters.
Note	Technical modifications reserved. The application of these products in harsh environments should always be checked before use. UL Certification pending.
Number of contacts	4
Color of housing	white
Product characteristics	Vibration resistance, Oil resistance
Classification	
Belden class	Wash-down Series
Belden brand	Lumberg-Automation
Mechanical data	
Type of plug-in contact	Female connector
Design of housing	angled
Thread	M8
Environmental conditions	
Environmental temperature	-40 °C ... 90 °C
Environmental temperature (explanation)	according to UL; Connectors designed to operate at temperatures of -40°C to +105°C in compliance to VDE standard
Degree of protection (IP), mounted	IP67, IP68, IP69k (IEC 60529)
Pollution degree	3
Materials	
Housing material / Molded body	PP
Contact bearer material	PP
Contact material	CuZn
Contact material - Surface refinement	Cu/Au
Knurled screw / nut material	stainless steel
Sealing material	EPDM
Electrical data	
Contact resistance	≤ 5 mΩ
Rated current I _n	3 A at 40°C
Rated voltage	30 V
Test voltage	0.8 kV eff./60 s
Insulation resistance	> 1 GΩ
Approvals	
Approvals	UL, ECOLAB
RoHS 2002/95/EG compliant	yes
Cable	
Cable length	5 m
Cable number	521
Cable description	Control cable
Color of jacket	orange
Material of outer jacket	TPE-V
Without halogens as in EN 50267-2-3	✘

Industrial Connecting Solutions: Circular Connectors: M8 - M12 Connectors: M8 Connectors: Overmolded single ended M8 cord sets: female connector: Wash-down Series: WRKMWV
https://catalog.beldensolutions.com:443/link/57078-24228-256281-256292-256303-250524-250526-377656-377658/en/WRKMWV_04-521-05/uistate

shielded	✘
welding spark proof	✘
Outer diameter of the cable	4.7 mm
Number of conductors	4
Cable design	4 x 0.25 mm ²
Conductor design	0.10 mm
Flame resistant according to standard	yes

Picture

Drawing



Belden Deutschland GmbH
 Im Gewerbepark 2
 58579 Schalksmühle
 Germany
 Phone: +49 7127/14-1806
 E-Mail: icos-sales@belden.com

The information published in the websites has been compiled as carefully as possible. It is subject to alteration without notice in technical as well as in price-related/commercial respect.

The complete information and data were available on user documentation. Mandatory information can only be obtained by a concrete query.