


Product information

M12 Single Ended Cordsets - Shieldable Types - RKTS 4-288/10 M

Industrial Connecting Solutions:Circular Connectors:M8 - M12 Connectors:M12 Connectors:M12 Circular connector acc. to IEC 61076-2-101:Overmolded Single Ended M12 Cordsets:M12 Single Ended

Cordsets - Shieldable Types

https://www.e-catalog.beldensolutions.com:443/link/57078-24228-256281-256292-256304-58429-58479-74828/en/RKGTS_04-288-10/uistate

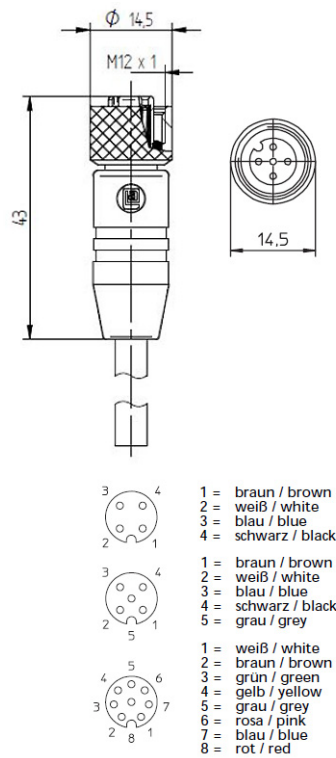
Name	
M12 Single Ended Cordsets - Shieldable Types	
	
Actuator/sensor cordset, single-ended, M12 female connector, 360° shielding connected to knurled nut, straight version, with threaded joint and molded cable, 4 poles, PUR jacket, halogen-free, screened, black, 10 meters	
Delivery informations	
Availability	available
Product description	
Type	RKTS 4-288/10 M
Order No.	49202
Description	Actuator/sensor cordset, single-ended, M12 female connector, 360° shielding connected to knurled nut, straight version, with threaded joint and molded cable, 4 poles, PUR jacket, halogen-free, screened, black, 10 meters
Number of contacts	4
Color of housing	orange
Product characteristics	Vibration resistance, Oil resistance, Drag chains suitable
Classification	
Belden brand	Lumberg-Automation
Eclass-ID	27260702
Mechanical data	
Type of plug-in contact	Female connector
Design of housing	straight
Thread	M12
Design of electrical connection	connector M12
Coding of the M12 round plug connector	A
LED display present	✘
Environmental conditions	
Environmental temperature	-25 °C ... 80 °C
Degree of protection (IP), mounted	IP67
Pollution degree	3
Materials	
Housing material / Molded body	TPU
Contact bearer material	TPU
Contact material	CuZn
Contact material - Surface refinement	pre-nickel and 0.8 microns gold-plated
Knurled screw / nut material	CuZn, tined
Sealing material	FKM
Electrical data	
Contact resistance	≤ 5 mΩ
Rated current In	4 A at 40°C, UL and notice derating
Nominal voltage	240 V AC/DC
Rated voltage	250 V
Test voltage	2.0 kV eff./60 s
Insulation resistance	> 1 GΩ
Approvals	
Approvals	UL

Industrial Connecting Solutions: Circular Connectors: M8 - M12 Connectors: M12 Connectors: M12 Circular connector acc. to IEC 61076-2-101: Overmolded Single Ended M12 Cordsets: M12 Single Ended Cordsets - Shieldable Types

https://www.e-catalog.beldensolutions.com:443/link/57078-24228-256281-256292-256304-58429-58479-74828/en/RKGTS_04-288-10/uistate

Picture

Drawing



Belden Deutschland GmbH
 Im Gewerbepark 2
 58579 Schalksmühle
 Germany
 Phone: +49 7127/14-1806
 E-Mail: icos-sales@belden.com

The information published in the websites has been compiled as carefully as possible. It is subject to alteration without notice in technical as well as in price-related/commercial respect. The complete information and data were available on user documentation. Mandatory information can only be obtained by a concrete query.