


## Product information

### RKMV - RKMV 4-07/10 M

Industrial Connecting Solutions: Circular Connectors: M8 - M12 Connectors: M8 Connectors: Overmolded single ended M8 cord sets: female connector: Standard Types, with threaded joint or snap-in joint: RKMV

[https://www.e-catalog.beldensolutions.com:443/link/57078-24228-256281-256292-256303-250524-250526-250528-251194/en/RKMV4\\_007\\_1000/uistate](https://www.e-catalog.beldensolutions.com:443/link/57078-24228-256281-256292-256303-250524-250526-250528-251194/en/RKMV4_007_1000/uistate)

Name	RKMV
	
	Cordsets, single-ended, for actuator/sensors and distribution boxes, M8 female connector, straight, with self-locking threaded joint and molded cable, 4 poles, PVC jacket, orange, 10 meters.
<b>Delivery informations</b>	
Availability	available
<b>Product description</b>	
Type	RKMV 4-07/10 M
Order No.	11299
Description	Cordsets, single-ended, for actuator/sensors and distribution boxes, M8 female connector, straight, with self-locking threaded joint and molded cable, 4 poles, PVC jacket, orange, 10 meters.
Note	The application of these products in harsh environments should always be checked before use.
Number of contacts	4
Color of housing	black translucent
Product characteristics	Vibration resistance
<b>Classification</b>	
Belden brand	Lumberg-Automation
<b>Mechanical data</b>	
Type of plug-in contact	Female connector
Design of housing	straight
Thread	M8
Design of electrical connection	connector M8
LED display present	✘
<b>Environmental conditions</b>	
Environmental temperature	-40 °C ... 90 °C
Degree of protection (IP), mounted	IP67 / IP69K
Pollution degree	3
<b>Materials</b>	
Housing material / Molded body	TPU
Contact bearer material	PA/TPU
Contact material	CuZn
Contact material - Surface refinement	pre-nickelated and 0.8 microns gold-plated
Knurled screw / nut material	CuZn, nickel-plated
Sealing material	FKM
<b>Electrical data</b>	
Contact resistance	≤ 5 mΩ
Rated current I <sub>n</sub>	4 A at 40°C
Nominal voltage	30 V
Rated voltage	36 V
Test voltage	0.8 kV eff./60 s
Insulation resistance	> 1 GΩ
<b>Approvals</b>	
Approvals	UL
<b>Cable</b>	
Cable length	10 m

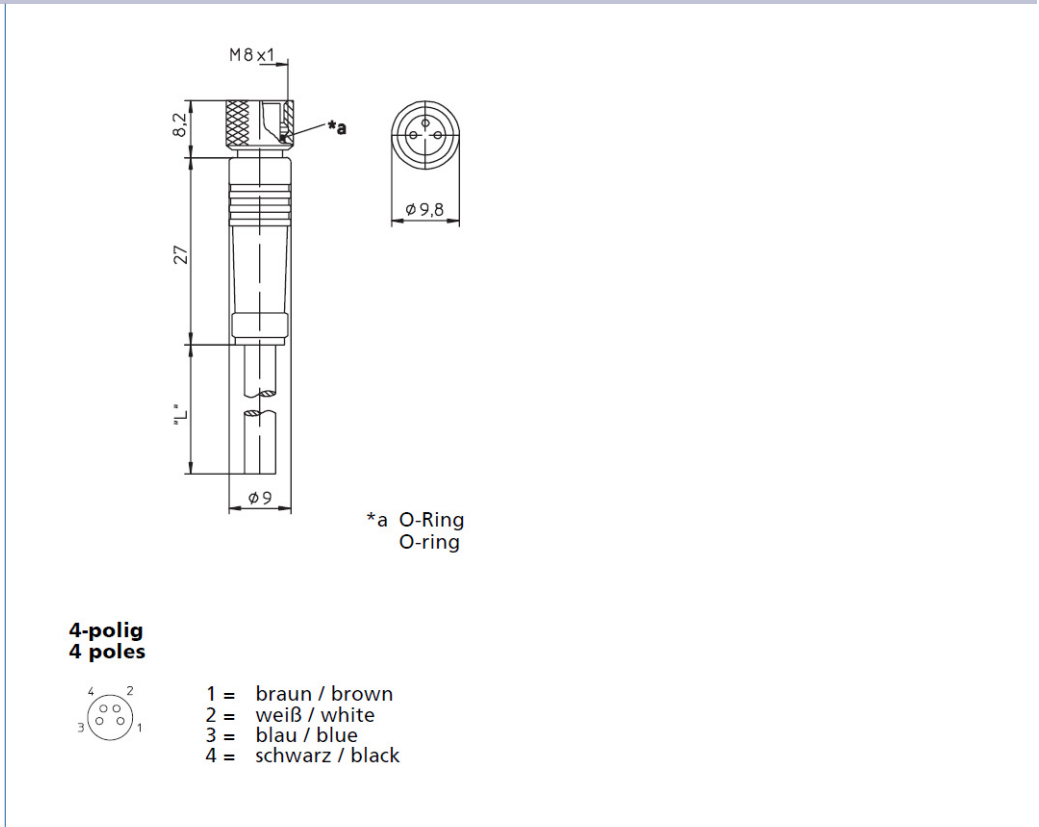
Industrial Connecting Solutions: Circular Connectors: M8 - M12 Connectors: M8 Connectors: Overmolded single ended M8 cord sets: female connector: Standard Types, with threaded joint or snap-in joint: RKMV

[https://www.e-catalog.beldensolutions.com:443/link/57078-24228-256281-256303-250524-250526-250528-251194/en/RKMV4\\_007\\_1000/uistate](https://www.e-catalog.beldensolutions.com:443/link/57078-24228-256281-256303-250524-250526-250528-251194/en/RKMV4_007_1000/uistate)

Cable number	07
Cable description	Sensor connecting cable
Color of jacket	orange
Material of outer jacket	PVC
Without halogens as in EN 50267-2-3	✗
shielded	✗
welding spark proof	✗
Outer diameter of the cable	5.0 mm
Number of conductors	4
Cable design	4 x 0.25 mm <sup>2</sup>
Conductor design	32 x 0.10 mm
Flame resistant according to standard	none

**Picture**

Drawing



**Belden Deutschland GmbH**  
 Im Gewerbepark 2  
 58579 Schalksmühle  
 Germany  
 Phone: +49 7127/14-1806  
 E-Mail: [icos-sales@belden.com](mailto:icos-sales@belden.com)

The information published in the websites has been compiled as carefully as possible. It is subject to alteration without notice in technical as well as in price-related/commercial respect. The complete information and data were available on user documentation. Mandatory information can only be obtained by a concrete query.