


Product information 0906 UTP 101

Industrial Connecting Solutions:Cables and Adapters:T-connectors / adaptors:M8, M12, valve plug - T-connectors/adaptors:M12-M12:T-connector, M12 female with M12 male and M12 female connector

- CANopen / DeviceNet:0906 UTP 101

<https://e-catalog.beldensolutions.com:443/link/57078-24228-256254-57229-218892-219241-219410-219479/en/conf/ui/istate>

Name	0906 UTP 101
	
	T-connector, M12 female with M12 male and M12 female connector, 5 poles, especially suitable for DeviceNet and CANopen modules with M12 bus connection
Delivery informations	
Availability	available
Product description	
Type	0906 UTP 101
Order No.	7843
Description	T-connector, M12 female with M12 male and M12 female connector, 5 poles, especially suitable for DeviceNet and CANopen modules with M12 bus connection
Number of contacts	5
Color of housing	black
Product characteristics	Vibration resistance, Oil resistance
Classification	
Belden brand	Lumberg-Automation
Environmental conditions	
Environmental temperature	-25 °C ... 90 °C
Degree of protection (IP), mounted	IP67
Pollution degree	3
Materials	
Housing material / Molded body	TPU
Contact bearer material	TPU
Contact material	CuZn
Contact material - Surface refinement	pre-nickeled and gold-plated
Knurled screw / nut material	CuZn
Sealing material	FKM
Electrical data	
Contact resistance	≤ 5 mΩ
Rated current In	4 A per outlet / 4 A max. at 40 °C
Nominal voltage	60 V
Test voltage	1.5 kV eff./60 s
Insulation resistance	> 1 GΩ

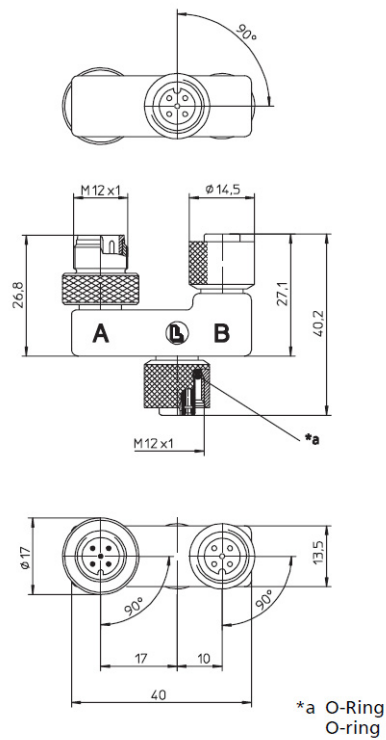
Industrial Connecting Solutions:Cables and Adapters:T-connectors / adaptors:M8, M12, valve plug - T-connectors/adaptors:M12-M12:T-connector, M12 female with M12 male and M12 female connector

- CANopen / DeviceNet:0906 UTP 101

<https://e-catalog.beldensolutions.com:443/link/57078-24228-256254-57229-218892-219241-219410-219479/en/conf/ui/state>

Picture

Drawing



Belden Deutschland GmbH

Im Gewerbepark 2
58579 Schalksmühle
Germany
Phone: +49 7127/14-1806
E-Mail: icos-sales@belden.com

The information published in the websites has been compiled as carefully as possible. It is subject to alteration without notice in technical as well as in price-related/commercial respect. The complete information and data were available on user documentation. Mandatory information can only be obtained by a concrete query.