


Product information

ASBS 6/LED 5-4

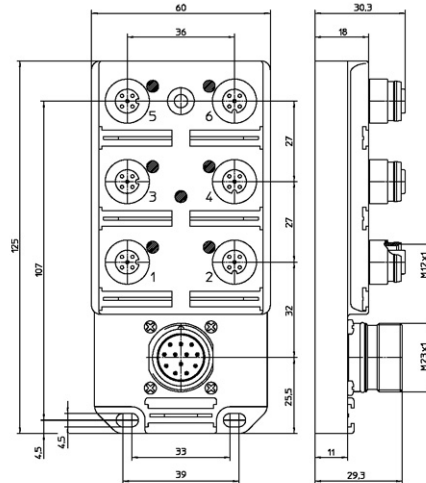
Industrial Connecting Solutions:I/O Modules:Passive distributors:M12 Passive Distributors:pluggable:with LED:1 signal/socket (3+PE):6-ports:ASBS 6/LED 5-4

<https://e-catalog.beldensolutions.com:443/link/57078-24228-255441-199791-200292-204939-204943-204956-205270-205277/en/conf/uistate>

Name	ASBS 6/LED 5-4
	
	Pluggable actuator/sensor distribution box, 6 port version, with LED operation and function indicators, combined FIXCOM/M12 socket, 4-pole, 1 signal per socket, earth connection, M23 connection for the control cable.
Delivery informations	
Availability	available
Product description	
Type	ASBS 6/LED 5-4
Order No.	11128
Description	Pluggable actuator/sensor distribution box, 6 port version, with LED operation and function indicators, combined FIXCOM/M12 socket, 4-pole, 1 signal per socket, earth connection, M23 connection for the control cable.
Number of contacts	4 (M12)
Version	6 ports
Color of housing	orange
Product characteristics	Vibration resistance, Oil resistance
Classification	
Belden brand	Lumberg-Automation
Mechanical data	
Thread	M12
LED display present	✓
Environmental conditions	
Environmental temperature	-15 °C ... 80 °C
Degree of protection (IP), mounted	IP67
Pollution degree	3
Materials	
Housing material / Molded body	TPU, self-extinguishing
Contact bearer material	PA-GF, self-extinguishing
Contact material	CuZn
Contact material - Surface refinement	pre-nickeled and 0.8 microns gold-plated
Knurled screw / nut material	CuZn, nickel-plated
Sealing material	FKM
Electrical data	
Contact resistance	≤ 5 mΩ
Rated current In	4 A per socket / 12 A max. at 40°C
Nominal voltage	10 - 30 V DC
Rated voltage	32 V
Insulation resistance	> 1 GΩ
Approvals	
Approvals	cURus
Scope of delivery and accessories	
Scope of delivery	ZVK: 2 dust covers for unused sockets ZBS: 10 attachable labels

Industrial Connecting Solutions:I/O Modules:Passive distributors:M12 Passive Distributors:pluggable:with LED:1 signal/socket (3+PE):6-ports:ASBS 6/LED 5-4
<https://e-catalog.beldensolutions.com:443/link/57078-24228-255441-199791-200292-204939-204943-204956-205270-205277/en/conf/uisstate>

Picture
 Drawing



Belden Deutschland GmbH
 Im Gewerbepark 2
 58579 Schalksmühle
 Germany
 Phone: +49 7127/14-1806
 E-Mail: icos-sales@belden.com

The information published in the websites has been compiled as carefully as possible. It is subject to alteration without notice in technical as well as in price-related/commercial respect. The complete information and data were available on user documentation. Mandatory information can only be obtained by a concrete query.