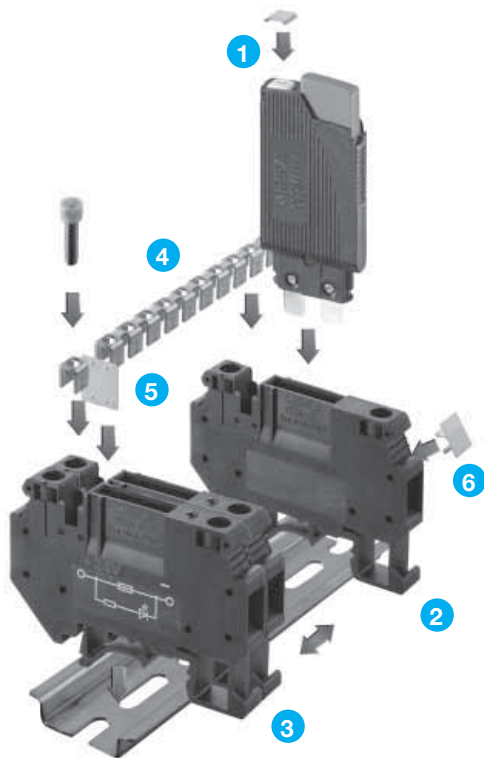


## Accessories - Terminal block with screw terminals



**1 Label** for circuit breaker 1180, surface for marking 4.5 x 5 mm (packaging quantity 120 pcs)  
**Y 307 374 01**

**2 Terminal block** for DIN rail mounting, with screw terminals up to 6 mm<sup>2</sup> conductor, width 8.2 mm, dimensions 64 x 42.5 x 8.2 mm, headroom over the upper rail edge with circuit breaker fitted (OFF position) 84 mm.  
Approvals: UL File E197598  
**X 222 233 01**

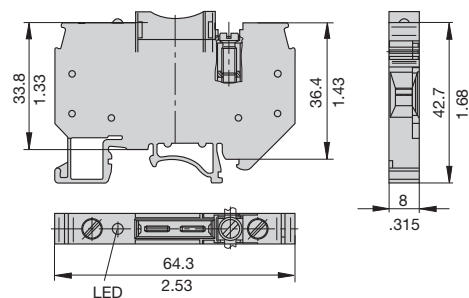
**3 Terminal block** for DIN rail mounting see item 2, but with LED DC 24 V (lighted after tripping); current rating LED 2 mA  
Approvals: UL File E197598  
**X 222 233 02**

**4 Bus connection** for potential bridging of several terminal blocks see item 2 and 3 (10-pole, separable, mounting hardware included), max. current rating 34 A  
**X 222 232 01**

**5 Insulation barriers** for insertion between two circuits (packaging quantity 10 pcs)  
**Y 307 373 01**

**6 Label** for terminal block, see item 2 and 3, surface for marking 8 x 10 mm (packaging quantity 10 pcs)  
**Y 307 375 01**

### Dimensions X 222 233 02



### Vibration

**with terminal block X 222 233 01 and X 222 233 02**  
5 g (57-500 Hz), ± 0.38 mm (10-57 Hz) to IEC 60068-2-6, test Fc, 10 frequency cycles/axis and EN 50155

### Shock

**with terminal block X 222 233 01 and X 222 233 02**  
25 g (11 ms) to IEC 60068-2-27, test Ea

This is a metric design and millimeter dimensions take precedence ( $\frac{\text{mm}}{\text{inch}}$ )