

Product information

ASB 2-RST 5-228/0,2-RKT 5-228 - ASB 2-RST 5-228/0,2-RKT 5-228/2 M

Industrial Connecting Solutions:Cables and Adapters:Connecting and Data Cables:M8, M12, M23, Valve Connectors - Connecting Cables:M12 Duo Connecting Cables:M12 Duo Connector on two M12

Connectors:ASB 2-RST 5-228/0,2-RKT 5-228

https://e-catalog.beldensolutions.com:443/link/57078-24228-256254-248344-248345-252400-252401-252643/en/ASB2_RST5RKT_228_0200/uistate

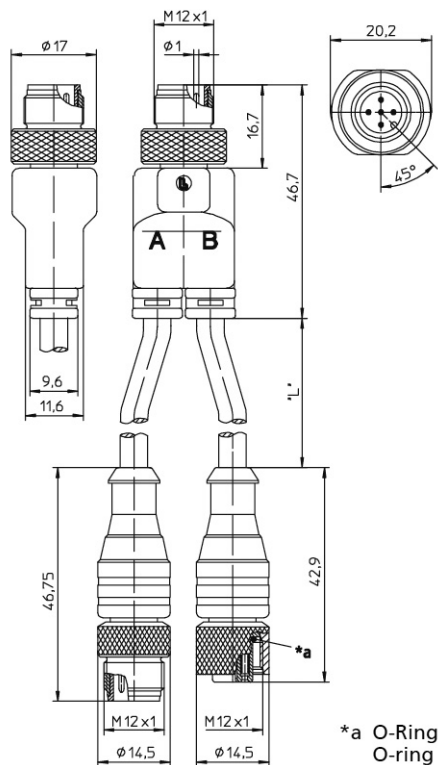
Name	ASB 2-RST 5-228/0,2-RKT 5-228
	
	Actuator/sensor cordset, double-ended, M12 Duo male connector with one M12 male connector (0.2 meters) and one M12 female connector, self-locking threaded joint, 5 poles, PUR jacket, halogen free, black, 2 meters.
Delivery informations	
Availability	available
Product description	
Type	ASB 2-RST 5-228/0,2-RKT 5-228/2 M
Order No.	44703
Description	Actuator/sensor cordset, double-ended, M12 Duo male connector with one M12 male connector (0.2 meters) and one M12 female connector, self-locking threaded joint, 5 poles, PUR jacket, halogen free, black, 2 meters.
Note	The application of these products in harsh environments should always be checked before use.
Number of contacts	5
Color of housing	orange
Color of Housing, side 2	black
Product characteristics	Oil resistance, Drag chains, Vibration resistance
Classification	
Belden brand	Lumberg-Automation
Mechanical data	
Type of plug-in contact	Male connector
Type of plug-in contact, side 2	Female connector
Design of housing	straight
Design of housing, side 2	straight
Thread	M12
Thread, side 2	M12
Design of electrical connection	screw connection
Design of electrical connection, side 2	screw connection
Coding of the M12 round plug connector	A
LED display present	✘
Environmental conditions	
Environmental temperature	-25 °C ... 80 °C
Degree of protection (IP), mounted	IP67
Pollution degree	3
Materials	
Housing material / Molded body	TPU
Housing material / Molded body, side 2	TPU
Contact bearer material	TPU
Contact bearer material, side 2	TPU
Contact material	CuZn
Contact material - Surface refinement	pre-nickelated and 0.3 microns gold-plated
Contact material, side 2	CuZn
Contact material - Surface refinement, side 2	pre-nickelated and 0.3 microns gold-plated
Knurled screw / nut material	CuZn, nickel-plated

Industrial Connecting Solutions:Cables and Adapters:Connecting and Data Cables:M8, M12, M23, Valve Connectors - Connecting Cables:M12 Duo Connecting Cables:M12 Duo Connector on two M12
 Connectors:ASB 2-RST 5-228/0,2-RKT 5-228
https://e-catalog.beldensolutions.com:443/link/57078-24228-256254-248344-248345-252400-252401-252643/en/ASB2_RST5RKT_228_0200/uistate

Sealing material	FKM (Female)
Electrical data	
Rated current In	4 A per cable / 4 A max. at 40°C
Nominal voltage	60 V
Rated voltage	63 V
Test voltage	1,5 kV eff./60 s
Insulation resistance	> 1 GΩ
Approvals	
Approvals	UL
Cable	
Cable length	2 m
Cable number	228
Cable description	Cable for sensors and actuators
Color of jacket	black
Material of outer jacket	PUR
Without halogens as in EN 50267-2-3	✓
shielded	✗
welding spark proof	✗
Outer diameter of the cable	5.4 mm
Number of conductors	5
Cable design	5 x 0.50 mm ²
Conductor design	15 x 0.20 mm
Flame resistant according to standard	yes

Picture

Drawing



*a O-Ring
O-ring

Belden Deutschland GmbH

Im Gewerbepark 2
58579 Schalksmühle
Germany
Phone: +49 7127/14-1806
E-Mail: icos-sales@belden.com

The information published in the websites has been compiled as carefully as possible. It is subject to alteration without notice in technical as well as in price-related/commercial respect. The complete information and data were available on user documentation. Mandatory information can only be obtained by a concrete query.