


## Product information

### M12 Single Ended Cordsets - Shieldable Types - RKTS 8-184/5 M

Industrial Connecting Solutions:Circular Connectors:M8 - M12 Connectors:M12 Connectors:M12 Circular connector acc. to IEC 61076-2-101:Overmolded Single Ended M12 Cordsets:M12 Single Ended

#### Cordsets - Shieldable Types

[https://e-catalog.beldensolutions.com:443/link/57078-24228-256281-256292-256304-58429-58479-74828/en/RKGS\\_08-184-05/uistate](https://e-catalog.beldensolutions.com:443/link/57078-24228-256281-256292-256304-58429-58479-74828/en/RKGS_08-184-05/uistate)

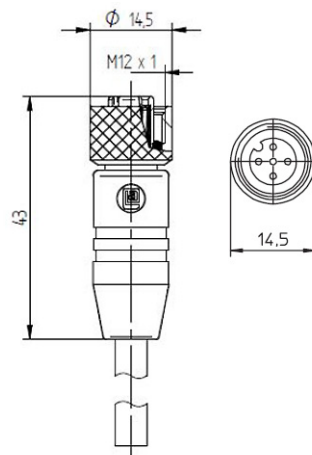
| Name  |   |
|---|---|
| M12 Single Ended Cordsets - Shieldable Types  |   |
|    |   |
| Actuator/sensor cordset, single-ended, M12 female connector, 360° shielding connected to knurled nut, straight version, with threaded joint and molded cable, 8 poles, PVC jacket, screened, orange, 5 meters |   |
| Delivery informations   |   |
| Availability  | available   |
| Product description   |   |
| Type  | RKTS 8-184/5 M  |
| Order No.   | 11424   |
| Description   | Actuator/sensor cordset, single-ended, M12 female connector, 360° shielding connected to knurled nut, straight version, with threaded joint and molded cable, 8 poles, PVC jacket, screened, orange, 5 meters |
| Number of contacts  | 8   |
| Color of housing  | orange  |
| Product characteristics   | Vibration resistance, Oil resistance, Drag chains suitable  |
| Classification  |   |
| Belden brand  | Lumberg-Automation  |
| Eclass-ID   | 27260702  |
| Mechanical data   |   |
| Type of plug-in contact   | Female connector  |
| Design of housing   | straight  |
| Thread  | M12   |
| Design of electrical connection   | connector M12   |
| Coding of the M12 round plug connector  | A   |
| LED display present   | ✘   |
| Environmental conditions  |   |
| Environmental temperature   | -25 °C ... 80 °C  |
| Degree of protection (IP), mounted  | IP67  |
| Pollution degree  | 3   |
| Materials   |   |
| Housing material / Molded body  | TPU   |
| Contact bearer material   | TPU   |
| Contact material  | CuZn  |
| Contact material - Surface refinement   | pre-nickel and 0.8 microns gold-plated  |
| Knurled screw / nut material  | CuZn, tined   |
| Sealing material  | FKM   |
| Electrical data   |   |
| Contact resistance  | ≤ 5 mΩ  |
| Rated current I <sub>n</sub>  | 2 A at 40°C, UL and notice derating   |
| Nominal voltage   | 30 V AC/DC  |
| Rated voltage   | 36 V  |
| Test voltage  | 1.5 kV eff./60 s  |
| Insulation resistance   | > 1 GΩ  |
| Approvals   |   |
| Approvals   | UL  |




Industrial Connecting Solutions: Circular Connectors: M8 - M12 Connectors: M12 Connectors: M12 Circular connector acc. to IEC 61076-2-101: Overmolded Single Ended M12 Cordsets: M12 Single Ended Cordsets - Shieldable Types

[https://e-catalog.beldensolutions.com:443/link/57078-24228-256281-256292-256304-58429-58479-74828/en/RKGTS\\_08-184-05/ulistate](https://e-catalog.beldensolutions.com:443/link/57078-24228-256281-256292-256304-58429-58479-74828/en/RKGTS_08-184-05/ulistate)

Picture

Drawing



- |   |  |
|---|--|
|   | <ul style="list-style-type: none"> <li>1 = braun / brown</li> <li>2 = weiß / white</li> <li>3 = blau / blue</li> <li>4 = schwarz / black</li> </ul>  |
|  | <ul style="list-style-type: none"> <li>1 = braun / brown</li> <li>2 = weiß / white</li> <li>3 = blau / blue</li> <li>4 = schwarz / black</li> <li>5 = grau / grey</li> </ul>   |
|  | <ul style="list-style-type: none"> <li>1 = weiß / white</li> <li>2 = braun / brown</li> <li>3 = grün / green</li> <li>4 = gelb / yellow</li> <li>5 = grau / grey</li> <li>6 = rosa / pink</li> <li>7 = blau / blue</li> <li>8 = rot / red</li> </ul> |

**Belden Deutschland GmbH**  
 Im Gewerbepark 2  
 58579 Schalksmühle  
 Germany  
 Phone: +49 7127/14-1806  
 E-Mail: [icos-sales@belden.com](mailto:icos-sales@belden.com)

The information published in the websites has been compiled as carefully as possible. It is subject to alteration without notice in technical as well as in price-related/commercial respect. The complete information and data were available on user documentation. Mandatory information can only be obtained by a concrete query.