


## Product information

### RKW - RKW 50-04/5 M

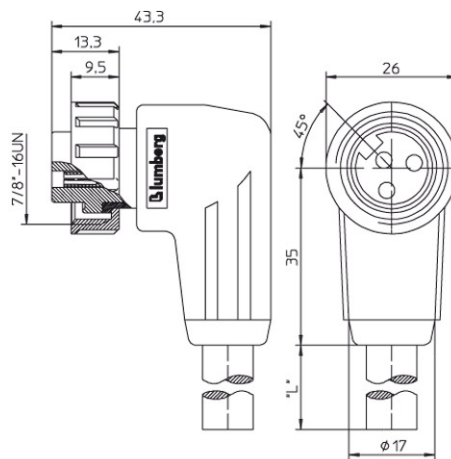
Industrial Connecting Solutions: Circular Connectors: 7/8", M23 Connectors: 7/8" Connectors: Overmolded Single Ended 7/8" Cordsets: Female connectors: RKW

[https://www.e-catalog.beldensolutions.com:443/link/57078-24228-256281-256289-256290-276527-276529-248896/en/RKW\\_05-05/ui/state](https://www.e-catalog.beldensolutions.com:443/link/57078-24228-256281-256289-256290-276527-276529-248896/en/RKW_05-05/ui/state)

Name	RKW
	
	Actuator/sensor cordset, 7/8" female connector, right angle version, with self-locking threaded joint and molded cable, PVC cable, orange, 5 poles, 5 meters.
<b>Delivery informations</b>	
Availability	available
<b>Product description</b>	
Type	RKW 50-04/5 M
Order No.	13765
Description	Actuator/sensor cordset, 7/8" female connector, right angle version, with self-locking threaded joint and molded cable, PVC cable, orange, 5 poles, 5 meters.
Number of contacts	5
Color of housing	orange
Product characteristics	Vibration resistance, Oil resistance
<b>Mechanical data</b>	
Type of plug-in contact	Female connector
Design of housing	angled
Thread	7/8"
Design of electrical connection	connector 7/8 inch
LED display present	✘
<b>Environmental conditions</b>	
Environmental temperature	-40 °C ... 90 °C
Degree of protection (IP), mounted	IP68
Pollution degree	3
<b>Materials</b>	
Housing material / Molded body	TPU, self-extinguishing
Contact bearer material	TPU, self-extinguishing
Contact material	CuZn
Contact material - Surface refinement	silver-plated and 0.3 microns gold-plated
Knurled screw / nut material	PA
<b>Electrical data</b>	
Contact resistance	≤ 5 mΩ
Rated current In	9 A at 40°C, UL and notice derating
Nominal voltage	240 V
Rated voltage	250 V
Test voltage	1.5 kV eff./60 s
Insulation resistance	> 1 GΩ
<b>Approvals</b>	
RoHS 2002/95/EG compliant	RoHS 2002/95/EG
<b>Cable</b>	
Cable length	5 m
Cable description	Cable for sensors and actuators
Color of jacket	orange
Material of outer jacket	PVC
Outer diameter of the cable	6.80 mm
Nominal diameter of the cable	5 x 0.50 mm <sup>2</sup>
Construction of conductor	16 x 0.2 mm
Flame resistant according to standard	none

Industrial Connecting Solutions: Circular Connectors: 7/8", M23 Connectors: 7/8" Connectors: Overmolded Single Ended 7/8" Cordsets: Female connectors: RKW  
[https://www.e-catalog.beldensolutions.com:443/link/57078-24228-256281-256289-256290-276527-276529-248896/en/RKW\\_05-05/ui/state](https://www.e-catalog.beldensolutions.com:443/link/57078-24228-256281-256289-256290-276527-276529-248896/en/RKW_05-05/ui/state)

Picture  
Drawing



**Belden Deutschland GmbH**  
Im Gewerbepark 2  
58579 Schalksmühle  
Germany  
Phone: +49 7127/14-1806  
E-Mail: [icos-sales@belden.com](mailto:icos-sales@belden.com)

The information published in the websites has been compiled as carefully as possible. It is subject to alteration without notice in technical as well as in price-related/commercial respect. The complete information and data were available on user documentation. Mandatory information can only be obtained by a concrete query.