

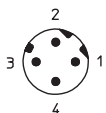
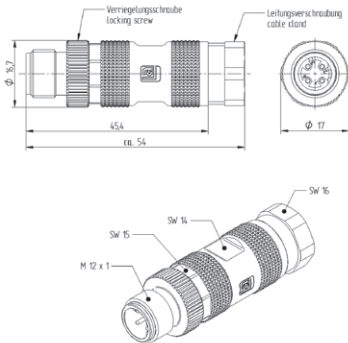








Technical Information

Product Description		
Type	RSCIS 4D/9	BRSCIS 4D/9
		
Description	Field attachable connector, M12 male connector, with threaded joint, shielded, assembling with insulation displacement connection, 4 poles, D-coded – UL approved version –	Field attachable connector, M12 male connector, with threaded joint, shielded, assembling with insulation displacement connection, 4 poles, D-coded – Rail-approved version –
RoHS (2011/65/EU)	yes	
Standards	IEC 61076-2-101	
Approvals	UL*	DIN EN 50155, DIN EN 45545-2, DIN EN 50467, DIN EN 61373
Technical Data		
Environmental Temperature	-40 °C to +85 °C	
Housing Material	CuZn, Ni-plated	
Contact Bearer Material	PA	
Contact Material, Surface Refinement	CuSn, Ni/Au-plated	
Knurled Screw/Nut Material	CuZn, Ni-plated	
Mechanical Data		
Degree of Protection (IP), Mounted	IP65, IP67 (Only in properly locked position with suitable counterpart)	
Electrical Data		
Insulation Resistance	≤ 10 mΩ	
Rated Voltage	250 V AC/DC	
Rated Current I _n	4 A	
Pollution Degree	3	
Technical Drawing		
Pin Assignment  <p>M12, Male 4-poles D-coding</p>		

* Pending UL-approved version (RSCIS 4D/9) will meet UL 2238 (available in near future)

Order Information

Order No.	Type	No. of Contacts	Type of Connection	Conductor Size	Cable Gland	Characteristics
934828002	RSCIS 4D/9	4	IDC	AWG 24, AWG 22	PG 9: Ø 6.0 to 8.0 mm	   
934828001	BRSCIS 4D/9	4	IDC	AWG 24, AWG 22	PG 9: Ø 6.0 to 8.0 mm	