




Product information N6R AM 2

Industrial Connecting Solutions: Circular Connectors: MIL, DIN, Universal Connectors: DIN 43651 Connectors (NR series): Panel-mounted connector: N6R AM 2

<https://www.e-catalog.beldensolutions.com:443/link/57078-24228-256281-256284-24367-24372-36242/en/conf/ui/state>

Name	N6R AM 2
	
	Panel-mounted connector with contact bearer in the casing (monoblock design)
Delivery informations	
Availability	available
Product description	
Description	Panel-mounted connector with contact bearer in the casing (monoblock design)
Type	N6R AM 2
Order No.	931 592-001
Type of contact	male
Number of contacts	6 + PE
Conductor size	max. 1.5 mm ²
Standard	DIN 43651
Housing Color	grey
Technical data	
Pin dimensions	1.6 mm
Rated voltage	AC/DC 250 V
Rated current	10 A
Contact resistance	<= 5 mOhm
Type of termination	crimp
Suitable cables	0.5 mm ² to 1.5 mm ²
Mounting	PG 13,5
Material	
Contact surface material	Ag
Contact bearer material	PET
Housing material	PET
Environmental conditions	
Protection class (IEC 60529)	IP 65
Temperature range	-40 °C to +90 °C
Packing unit	
Packing unit	10 pieces
Scope of delivery and accessories	
Scope of delivery	1 panel-mounted connector with O-Ring in polythene bag with assembly instructions
Accessories to order separately	can be plugged into N6R FF, N6R FF R, N6R EF; coding NC 6, order no. 831 002-011 protective cover SHK 1, order no. 733 849-011, contacts: RSC 162



HIRSCHMANN

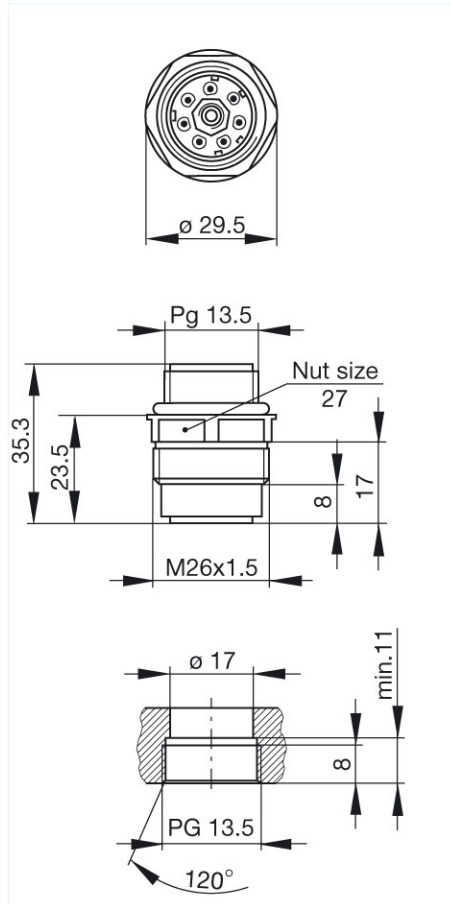
A BELDEN BRAND

Industrial Connecting Solutions: Circular Connectors: MIL, DIN, Universal Connectors: DIN 43651 Connectors (NR series): Panel-mounted connector: N6R AM 2

<https://www.e-catalog.beldensolutions.com:443/link/57078-24228-256281-256284-24367-24372-36242/en/conf/ui/state>

Picture

Drawing



Belden Deutschland GmbH

Im Gewerbepark 2

58579 Schalksmühle

Germany

Phone: +49 7127/14-1806

E-Mail: icos-sales@belden.com

The information published in the websites has been compiled as carefully as possible. It is subject to alteration without notice in technical as well as in price-related/commercial respect. The complete information and data were available on user documentation. Mandatory information can only be obtained by a concrete query.