


## Product information

### M12 Single Ended Cordsets - Shieldable Types - RKTS 8-299/5 M

Industrial Connecting Solutions:Circular Connectors:M8 - M12 Connectors:M12 Connectors:M12 Circular connector acc. to IEC 61076-2-101:Overmolded Single Ended M12 Cordsets:M12 Single Ended

#### Cordsets - Shieldable Types

[https://e-catalog.beldensolutions.com:443/link/57078-24228-256281-256292-256304-58479-58479-74828/en/RKGTS\\_08-299-05/uistate](https://e-catalog.beldensolutions.com:443/link/57078-24228-256281-256292-256304-58479-58479-74828/en/RKGTS_08-299-05/uistate)

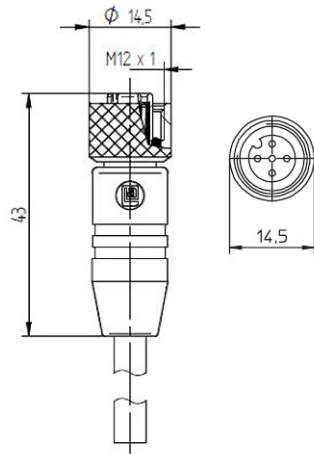
Name	
M12 Single Ended Cordsets - Shieldable Types	
	
Actuator/sensor cordset, single-ended, M12 female connector, 360° shielding connected to knurled nut, straight version, with threaded joint and molded cable, 8 poles, PUR jacket, halogen-free, screened, black, 5 meters	
Delivery informations	
Availability	available
Product description	
Type	RKTS 8-299/5 M
Order No.	49262
Description	Actuator/sensor cordset, single-ended, M12 female connector, 360° shielding connected to knurled nut, straight version, with threaded joint and molded cable, 8 poles, PUR jacket, halogen-free, screened, black, 5 meters
Number of contacts	8
Color of housing	orange
Product characteristics	Vibration resistance, Oil resistance, Drag chains suitable
Classification	
Belden brand	Lumberg-Automation
Eclass-ID	27260702
Mechanical data	
Type of plug-in contact	Female connector
Design of housing	straight
Thread	M12
Design of electrical connection	connector M12
Coding of the M12 round plug connector	A
LED display present	✘
Environmental conditions	
Environmental temperature	-25 °C ... 80 °C
Degree of protection (IP), mounted	IP67
Pollution degree	3
Materials	
Housing material / Molded body	TPU
Contact bearer material	TPU
Contact material	CuZn
Contact material - Surface refinement	pre-nickel and 0.8 microns gold-plated
Knurled screw / nut material	CuZn, tined
Sealing material	FKM
Electrical data	
Contact resistance	≤ 5 mΩ
Rated current In	2 A at 40°C, UL and notice derating
Nominal voltage	30 V AC/DC
Rated voltage	36 V
Test voltage	1.5 kV eff./60 s
Insulation resistance	> 1 GΩ
Approvals	
Approvals	UL

Industrial Connecting Solutions: Circular Connectors: M8 - M12 Connectors: M12 Connectors: M12 Circular connector acc. to IEC 61076-2-101: Overmolded Single Ended M12 Cordsets: M12 Single Ended Cordsets - Shieldable Types

[https://e-catalog.beldensolutions.com:443/link/57078-24228-256281-256292-256304-58429-58479-74828/en/RKGTS\\_08-299-05/ulistate](https://e-catalog.beldensolutions.com:443/link/57078-24228-256281-256292-256304-58429-58479-74828/en/RKGTS_08-299-05/ulistate)

Picture

Drawing



- |   |   |                     |
|---|---|---------------------|
| 3 | 4 | 1 = braun / brown   |
| 2 | 1 | 2 = weiß / white    |
|   |   | 3 = blau / blue     |
|   |   | 4 = schwarz / black |
|   |   |                     |
| 3 | 4 | 1 = braun / brown   |
| 2 | 5 | 2 = weiß / white    |
|   | 1 | 3 = blau / blue     |
|   |   | 4 = schwarz / black |
|   |   | 5 = grau / grey     |
|   |   |                     |
| 4 | 5 | 1 = weiß / white    |
| 3 | 6 | 2 = braun / brown   |
|   | 7 | 3 = grün / green    |
|   | 8 | 4 = gelb / yellow   |
|   | 1 | 5 = grau / grey     |
|   |   | 6 = rosa / pink     |
|   |   | 7 = blau / blue     |
|   |   | 8 = rot / red       |

**Belden Deutschland GmbH**  
 Im Gewerbepark 2  
 58579 Schalksmühle  
 Germany  
 Phone: +49 7127/14-1806  
 E-Mail: [icos-sales@belden.com](mailto:icos-sales@belden.com)

The information published in the websites has been compiled as carefully as possible. It is subject to alteration without notice in technical as well as in price-related/commercial respect. The complete information and data were available on user documentation. Mandatory information can only be obtained by a concrete query.