


## Product information

### RSMED 3

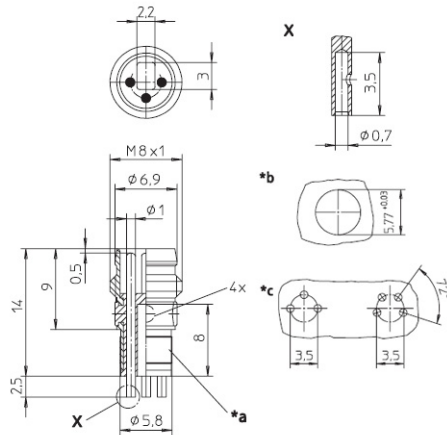
Industrial Connecting Solutions: Circular Connectors: M8 - M12 Connectors: M8 Connectors: M8 Receptacle Connectors: for Sensors: male connector: RSMED 3

<https://www.e-catalog.beldensolutions.com:443/link/57078-24228-256281-256292-256303-250047-250050-250202-250344/en/conf/ui/state>

Name	RSMED 3
	
	Receptacle connector, M8 male connector for sensors with combined snap-in/threaded joint, 4 light indicator windows, mounting hole for LED, short solder contacts, hollow contacts on solder side, 3 poles
<b>Delivery informations</b>	
Availability	available
<b>Product description</b>	
Type	RSMED 3
Order No.	11657
Description	Receptacle connector, M8 male connector for sensors with combined snap-in/threaded joint, 4 light indicator windows, mounting hole for LED, short solder contacts, hollow contacts on solder side, 3 poles
Note	The application of these products in harsh environments should always be checked before use.
Number of contacts	3
Color of housing	chromium
Product characteristics	Oil resistance
<b>Classification</b>	
Belden brand	Lumberg-Automation
<b>Mechanical data</b>	
Type of plug-in contact	Male connector
Design of housing	straight
Thread	M8
Design of electrical connection	solder connection
Connectable conductor cross-section multiple wire (without sleeve)	max. 0.25 mm <sup>2</sup>
LED display present	✘
<b>Environmental conditions</b>	
Environmental temperature	-25 °C ... 80 °C
Pollution degree	3
<b>Materials</b>	
Housing material / Molded body	CuZn, nickel-plated
Contact bearer material	PA
Contact material	CuZn
Contact material - Surface refinement	pre-nickeled and 0.8 microns gold-plated
<b>Electrical data</b>	
Contact resistance	≤ 5 mΩ
Rated current I <sub>n</sub>	4 A at 40°C
Nominal voltage	60 V
Rated voltage	63 V
Test voltage	1.5 kV eff./60 s
Insulation resistance	> 1 GΩ
<b>Approvals</b>	
Approvals	UL

Picture

Drawing



**3-polig**  
**3 poles**



- \*X hohl  
hollow
- \*b Einbauöffnung  
cut out
- \*c Lochbild in der Leiterplatte  
hole pattern in printed circuit board

**Belden Deutschland GmbH**  
Im Gewerbepark 2  
58579 Schalksmühle  
Germany  
Phone: +49 7127/14-1806  
E-Mail: [icos-sales@belden.com](mailto:icos-sales@belden.com)

The information published in the websites has been compiled as carefully as possible. It is subject to alteration without notice in technical as well as in price-related/commercial respect. The complete information and data were available on user documentation. Mandatory information can only be obtained by a concrete query.